

Unauthorized Photocopy and Duplication Prohibited

### Features

- ◆ Less than 75mW standby power consumption at 230VAC with typical application circuit
- ◆ Multi-Mode Operation  
CCM @ Heavy Load and Low Line Voltage  
QR-Like Operation @ Medium Load  
Green mode with Valley Skip at Light Load  
Burst Mode at No Load
- ◆ No noise work
- ◆ Fixed 65KHz(typical) switching frequency
- ◆ Ultra Low start-up and low operation current
- ◆ Power on soft-start
- ◆ Vac under voltage protection Brown-out function
- ◆ Over voltage protection(OVP),Over temperature protection(OTP), VDD over voltage clamp and under voltage lockout with hysteresis(UVLO),
- ◆ SOT23-6 Package

### Applications

- ◆ AC/DC Adapter
- ◆ Cell Phone Charger
- ◆ Auxiliary power supply for PC and Server
- ◆ Linear Regulator/RCC Replacement

### General Description

SP6650A is a high performance multi-mode(QR/CCM) PWM controller for flyback converter. The chip consumes very low start-up and operation current. It achieves less than 75mW standby power to meet strict standby power standard.

SP6650A offers comprehensive protection coverage with auto-recovery feature including Cycle-by-Cycle current limiting, VDD over voltage protection (OVP), feedback loop open protection, load short circuit protection, VDD over voltage clamp and under voltage lockout with hysteresis(UVLO),Brown-out function.

SP6650A is offered in SOT23-6 packages.

### Simplified Application

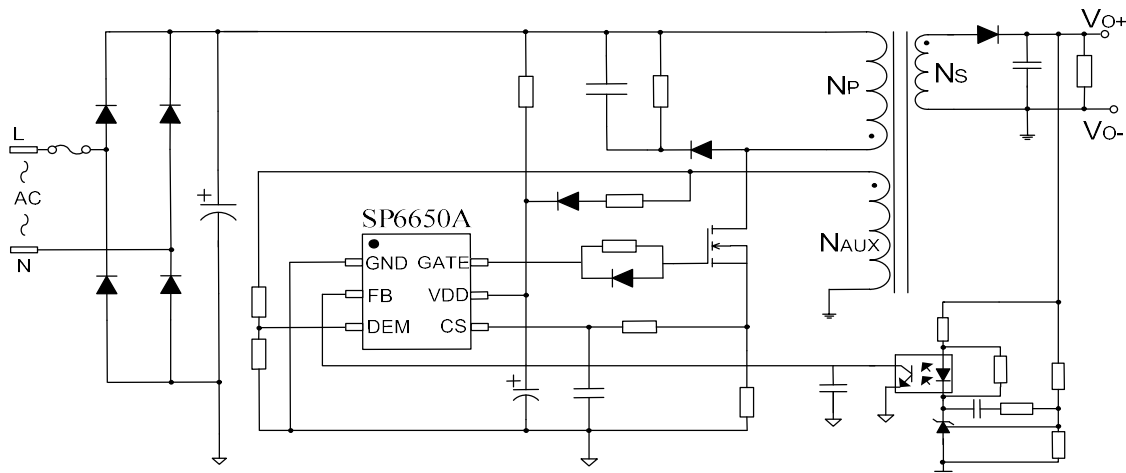


Figure 1 Simplified Application of SP6650A